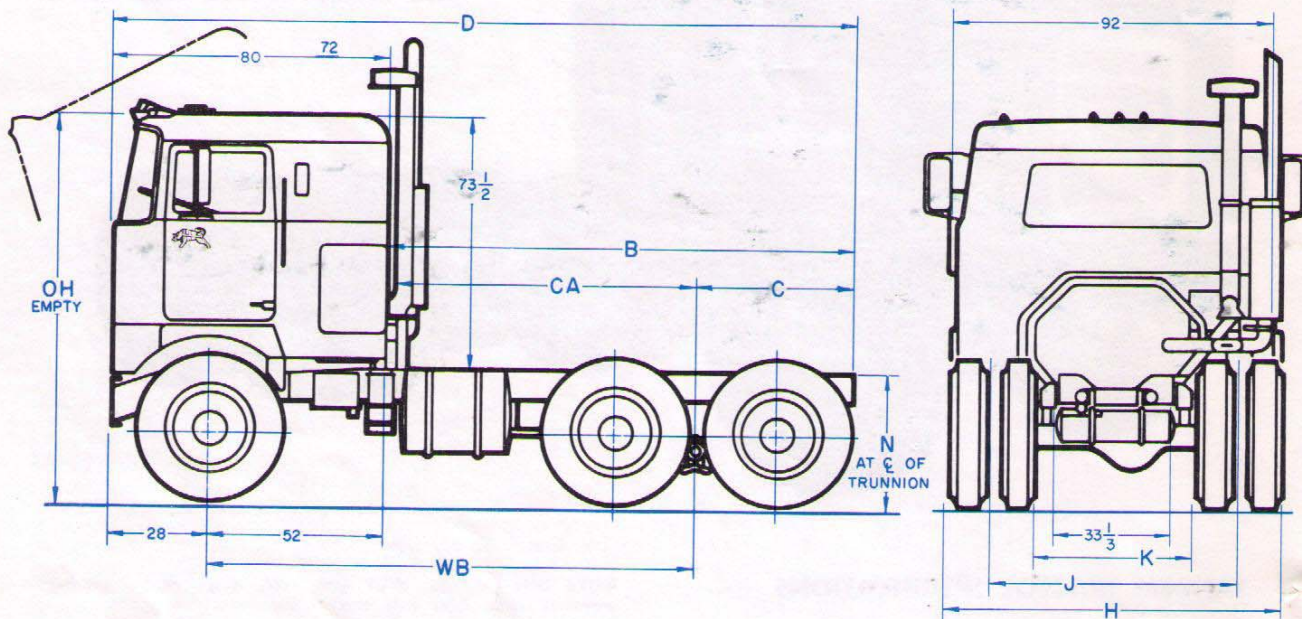


457TL



KEY TO SYMBOLS

- CA—Rear of cab to centerline of rear axle
- WB—Wheelbase
- B—Rear of cab to rear end of frame
- C—Centerline of rear axle to rear end of frame
- D—Overall length
- H—Width over rear tires
- OH—Overall height to top of cab
- J—Rear axle tread
- K—Width inside rear tires
- N—Frame height at centerline of rear axle

TRACTOR TANDEM AXLE

TIRE SIZE	OH. APPROX.	N		H	J	K
		EMPTY	LOADED	SPOKE WHEELS		
10.00 x 20	112.9	39.4	38.1	96	72	47 $\frac{3}{4}$

TANDEM AXLE

WB	SLEEPER CAB MODEL 80		C	D	ESTIMATED TURNING RADIUS	
	CA	B			RIGHT	LEFT
142	90	140	50	220	28 Ft.	28 Ft.